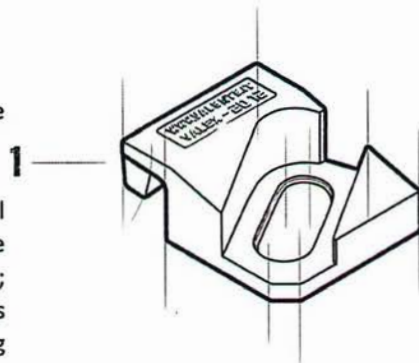


FEATURES

Main features:

- elastic fixing of rails with or without pad;
- system that allows an easy lateral adjustment of the rail;
- easy maintenance;
- the elastomer noise increases the tolerances rail support structure, reduces the stress of the connections, allows a better fixing of the rail;
- the fastening system has been used for years throughout the world in the most demanding conditions with great success.

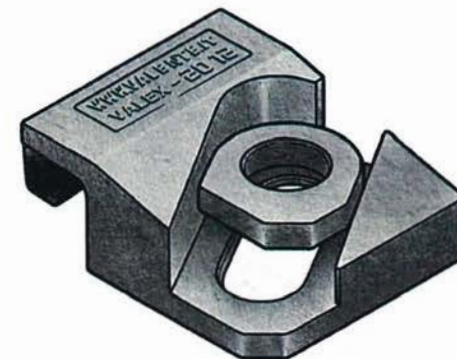


APPLICATIONS

The fastening system Valex 2012 for direct fixing has been studied specifically for crane rails but it can be used with good results also with train and light rails.

It is a very rugged, reliable fastening system of contained dimensions.

It can be used with any type of crane independently of the driving system.



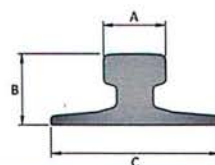
COMPONENTS

1 Clip with vulcanized rubber nose

Dimension [mm]	E	F	G	H	L	L1	L2	M	N	O	P	Weight [g]
VALEX 2012-31-6	-	-	-	17	-	-	-	-	-	-	-	215
VALEX 2012-31-10	-	-	-	13	-	-	-	-	-	-	-	210
VALEX 2012-31-13	-	-	-	10	-	-	-	-	-	-	-	210

RAIL TYPE	A [mm]	B [mm]	C [mm]	Weight [kg/m]	WITHOUT PAD	WITH PAD
A 45	45	55	125	22,1	VALEX 2012-31-6	VALEX 2012-31-10
A 55	55	65	150	31,8	VALEX 2012-31-6	VALEX 2012-31-13
A 65	65	75	175	43,1	VALEX 2012-31-6	VALEX 2012-31-13
A 75	75	85	200	56,2	-	-
A 100	100	95	200	74,3	-	-
A 120	120	105	220	100	-	-
A 150	150	150	220	150,3	-	-
CR 104	63,5	127	127	51,59	-	-
CR 105	65,1	131,8	131,8	52,09	-	-
CR 135	76,2	146	131,8	66,97	-	-
CR 171	101,6	152,4	152,4	84,83	-	-
MRS 87 A	101,6	152,4	152,4	86,8	-	-
CR 175	102,4	152,4	152,4	86,8	-	-
MRS 125	120	180	180	125	-	-
S 7	25	65	50	6,75	-	-
S 10	32	70	58	10	VALEX 2012-31-6	VALEX 2012-31-10
S 14	38	80	70	14	VALEX 2012-31-6	VALEX 2012-31-10
S 18	43	93	82	18,3	VALEX 2012-31-6	VALEX 2012-31-10
S 20	44	100	82	19,8	VALEX 2012-31-6	VALEX 2012-31-10
S 24	53	115	90	24,43	VALEX 2012-31-6	VALEX 2012-31-10
25 kg/m	50	115	90	25	VALEX 2012-31-6	VALEX 2012-31-10
S 26 (AFNOR 26)	50	110	100	26,27	VALEX 2012-31-6	VALEX 2012-31-10
27 E1 (27 UNI)	50	120	95	27,06	VALEX 2012-31-6	VALEX 2012-31-10
AFNOR 30	56	125,5	106	29,98	VALEX 2012-31-6	VALEX 2012-31-10
30 E1 (S 30)	60,3	108	108	30,13	VALEX 2012-31-6	VALEX 2012-31-13
33 E1 (S 33)	58	134	105	33,47	VALEX 2012-31-6	VALEX 2012-31-13
36 E1 (36 UNI)	60	130	100	36,26	VALEX 2012-31-6	VALEX 2012-31-13
40 E1 (S 41-R14)	67	138	125	40,95	-	-
46 E4 (46 UNI)	65	145	135	46,9	-	-
49 E1 (S 49)	67	149	125	49,39	-	-
50 E5 (50 UNI)	67	148	135	49,9	-	-
54 E1 (UIC 54)	70	159	140	54,77	-	-
60 E1 (UIC 60)	72	172	150	60,21	-	-

Clip can be used with more type of rails than those listed.
 Complete range of the usable rails available on request.
 Products and specifications could be changed without previous notice.



GENERAL INSTRUCTIONS

The selection of the fastening system, either for crane rails or train or light (Decauville) rails is a rather important decision both when placing a track or a single rail. The wrong selection could have expensive consequences and create serious problems such as:

- slow down or shut down of the production process,
- excessive and, or irregular wear of the rails,
- damage of the mechanical components,
- damage of the supporting base,
- damage of the fastening systems.

Valex fastening systems have been developed through the experience of more than 90 years of activity.

The Valex fastening systems offer a practically unlimited selection of alternatives which allows for the most effective and efficient performance in nearly every possible situation.

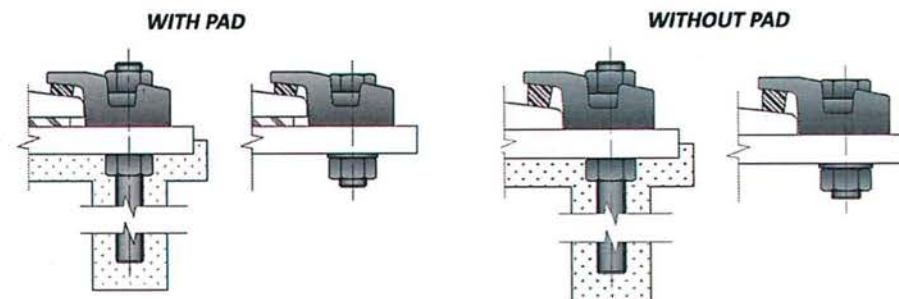
ASSEMBLING INSTRUCTION

- Line up the rails;
- Place the clips in contact with the rails;
- Place the washer and insert the screw;
- Proceed to a light tightening;
- Control the line up of the rails and the correct contact between the rails and the clips;
- Complete the tightening.

TECHNICAL SPECIFICATIONS

- Lateral adjustment 5 [mm]
- Side load 30 [KN]
- Torque tightening 75 [Nm]
- Bolt M12 gr 8.8
- Steel Quality S355JR

FIXING DETAILS



BOLT NOT INCLUDED